



SJ66 T TELESCOPIC BOOM

STANDARD FEATURES

- EASYDRIVE™ Direction sensing drive and steer controls
- SKYCODED™ Colour coded and numbered wiring system
- Axle based 4WD
- Operator controlled locking rear differential and limited slip front differential
- Oscillating axle
- 50% Gradeability
- Drivable at full height
- Stage V Deutz TD2.2L Diesel engine
- Wet disc SAHR brakes (front and rear axle)
- Relay based control system
- Proportional controls
- Secondary guarding electrical (SGE)
- Overload sensing system
- Tilt alarm with drive cut-out
- 0.91 x 1.83 m Platform
- Modular platform railing system
- Lanyard attachment points
- Tri-entry sliding mid-rail
- Wiring for AC outlet on platform
- Swing out engine tray
- Swing up fiberglass cowlings
- Operator horn
- Hourmeter
- 360° Continuous turret rotation
- Tie down/lifting lugs
- 15 x 19.5 Grip lug foam-filled tyres

ACCESSORIES AND OPTIONS

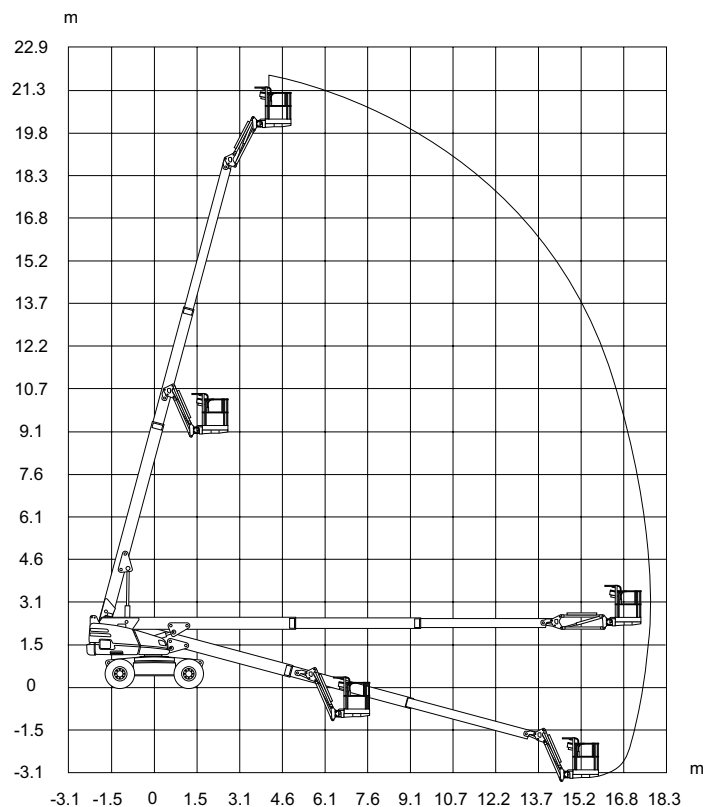
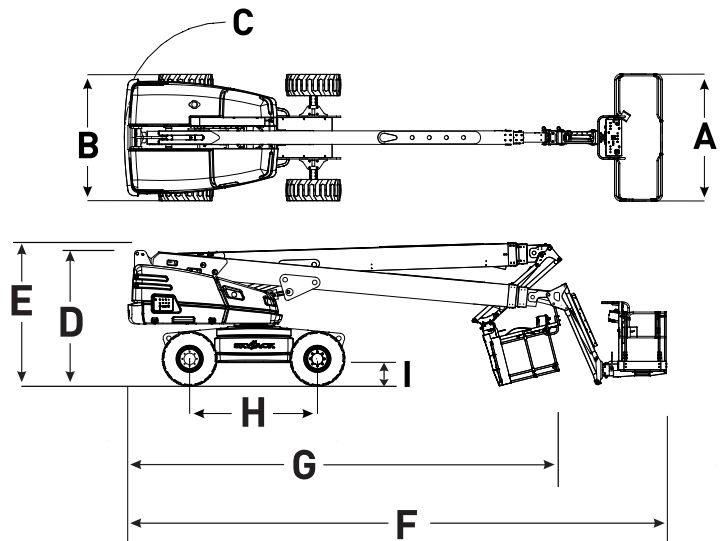
- Glazier kit
- Pipe rack
- Tool caddy
- Deutz D2011L04i Diesel engine (export only)
- Platform work lights
- Flashing light
- All motion alarm
- 0.91 x 2.44 m Platform
- Rear gate
- Control box cover
- Auxiliary top rail (0.91 x 2.44 m platform only)
- 3.5 kW Generator (Includes hydraulic oil cooler)
- Hydraulic oil cooler
- Bio oil
- 1/2" Airline to platform
- 385/65D19.5 Grip lug foam-filled non-marking tires
- ELEVATE telematics

† Standard lead times may be increased when optional equipment is added, consult factory.

‡ Capacities, and machine weights may differ when options are added.

SJ66 T TELESCOPIC BOOM

Dimensions	SJ66T
Work Height	22.12 m
Platform Height	20.12 m
Horizontal Reach	17.37 m
Working Reach	18.02 m
A Platform Size	0.91 x 1.83 m
B Stowed Width	2.44 m
C Tailswing	1.19 m
D Stowed Height	2.57 m
E Transportation Height	3.30 m
F Stowed Length	10.34 m
G Transportation Length	8.13 m
H Wheelbase	2.44 m
I Ground Clearance	0.41 m
Specifications	SJ66T
Rotation	360° Continuous
Platform Rotation	170°
Jib Length	1.52 m
Jib Range +/-	+65° / -60°
Weight	12,800 kg
Gradeability	50%
Turning Radius (Inside)	2.82 m
Turning Radius (Outside)	5.05 m
Axle Oscillation	7.62 cm
Drive Speed (High speed)	7.2 km/h
Capacity	227 kg
Local Floor Load (With Rated Load)	1,140 kPa
Overall Floor Load (With Rated Load)	17.8 kPa
Maximum # of Persons	2
Tyre Type	Grip lug foam-filled
Tyre Size	15 x 19.5
Diesel Engine	44.5kw (60hp)
Fuel Tank Capacity	170 L
Hydraulic Reservoir	227 L



SJ66 T Work Height

Skyjack UK
 Unit 1, Maes-y-Clawdd
 Maesbury Road Industrial Estate
 Oswestry, Shropshire, SY10 8NN
 Tel: +44 1691 676235
 Fax: +44 1691 676239
 Email: info@skyjackeurope.co.uk

Skyjack SAS (France)
 74 Rue Sibert
 F-42400 Saint Chamond
 France
 Tel: +33 (0) 4 78 73 53 32
 Tel: +33 (0) 4 78 73 05 68
 Fax: +33 (0) 4 78 56 52 42

Skyjack Hebebühnen GmbH (Germany)
 Därmannsbusch 2a
 D-58456 Witten
 Tel: +49 (0) 2302 20 26 909
 Fax: +49 (0) 2302 20 25 671

Skyjack AB (Sweden)
 Agnesbergsvägen 28
 424 38 Agnesberg
 Sweden
 Tel: +46 (0) 31 21 22 45
 Fax: +46 (0) 31 787 65 10

www.skyjack.com