



SJ30 ARJE

ELECTRIC ARTICULATING BOOM

STANDARD FEATURES

- EASYDRIVE™ Direction sensing drive and steer controls
- SKYRISER™ True vertical rise
- SKYCODED™ Colour coded and numbered wiring system
- Rotating jib
- Direct AC electric drive
- Dual spring applied, electromagnetically released brakes
- Regenerative braking
- Speed and angle sensing traction control
- 35% Gradeability
- Drivable at full height
- 12.5 m/s Wind rating
- Relay based control system
- Proportional drive and boom controls
- Function speed selector
- Secondary guarding electrical (SGE)
- Overload sensing system
- DC Powered emergency lowering
- 0.76 x 1.17 m Platform
- Modular platform railing system
- Lanyard attachment points
- Rear-entry sliding mid rail
- Wiring for AC outlet on platform
- 48V 305 Ah Battery pack
- Swing out battery trays
- Swing out cowlings
- Operator horn
- Hourmeter
- 355° Non-continuous turret rotation
- Tie down/lifting lugs
- 22 x 7 x 12 Solid rubber, non-marking tyres

ACCESSORIES AND OPTIONS

- Pipe rack
- Tool caddy
- Flashing light
- All motion audible alarm
- Rear gate
- 360 Ah Batteries
- 330 Ah AGM Batteries
- Bio oil
- 1/2" Airline to platform
- Control box cover
- ELEVATE telematics

Preliminary specifications at time of printing. Consult your local area sales representative for details.

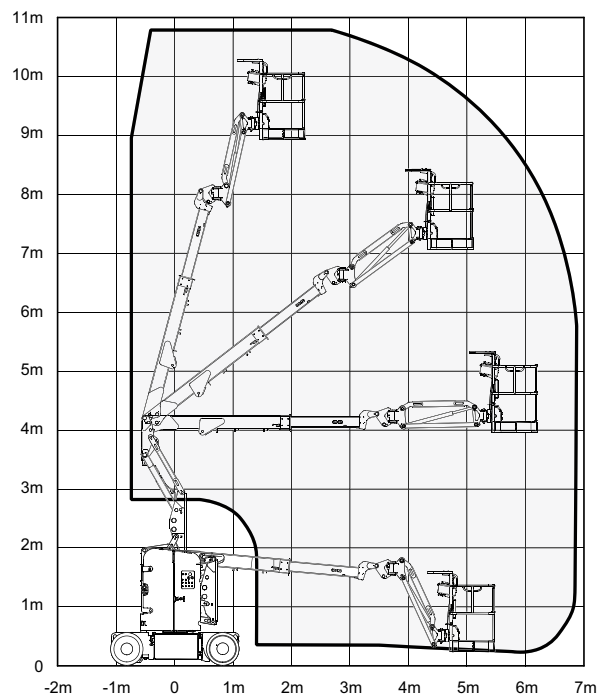
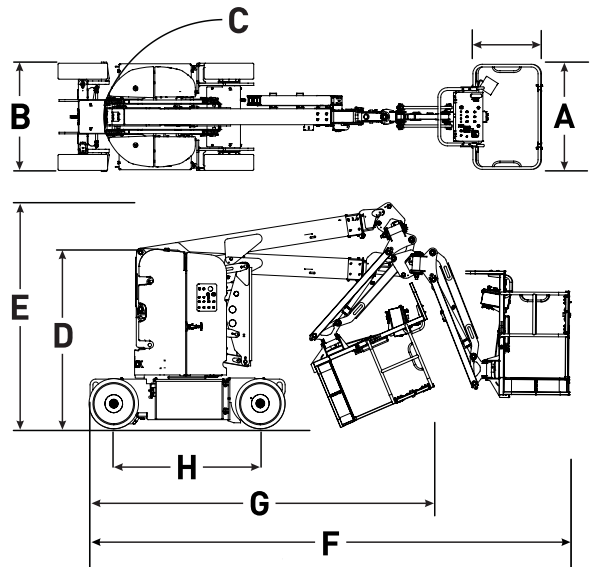
† Standard lead times may be increased when optional equipment is added, consult factory.

‡ Capacities, and machine weights may differ when options are added.

SJ30 ARJE ELECTRIC ARTICULATING BOOM

Dimensions	SJ30 ARJE
Work Height	11.00 m
Platform Height	9.00 m
Horizontal Reach	6.26 m
Up and Over Height	3.99 m
A Platform Size	0.76 m x 1.17 m
B Stowed Width	1.19 m
C Tailswing	0
D Stowed Height	1.98 m
E Transport Height	2.50 m
F Stowed Length	5.51 m
G Transport Length	3.80 m
H Wheelbase	1.65 m
Ground Clearance	10.16 cm

Specifications	SJ30 ARJE
Turret Rotation	355° NC
Platform Rotation	180°
Jib Length	1.25 m
Jib Range of Motion - Horizontal	180°
Jib Range of Motion - Vertical	142° (+77°/-65°)
Weight	5,750 kg
Gradeability - Counterweight Facing Up	35%
Gradeability - Counterweight Facing Down	25%
Turning Radius (Inside)	1.52 m
Turning Radius (Outside)	3.23 m
Drive Speed (Stowed)	4.8 km/h
Drive Speed (Elevated/Extended)	0.64 km/h
Capacity	227 kg
Local Floor Load (With Rated Load)	1,505 kPa
Overall Floor Load (With Rated Load)	22 kPa
Maximum # of Persons (indoors/outdoors)	2/1
Wind Rating	12.5 m/s
Tyre Type	Solid, N/M
Tyre Size	22 x 7 x 12



Skyjack UK
 Unit 1, Maes-y-Clawdd
 Maesbury Road Industrial Estate
 Oswestry, Shropshire, SY10 8NN
 Tel: +44 (0) 1691 676235
 Fax: +44 (0) 1691 676239
 Email: info@skyjackeurope.co.uk

Skyjack France
 74 Rue Sibert
 F-42400 Saint-Chamond
 France
 Tel: +33 (0) 4 78 73 53 32
 Fax: +33 (0) 4 78 56 52 42

Skyjack Germany
 Därmannsbusch 2a
 D-58456 Witten
 Germany
 Tel: +49 (0) 2302 20 26 909
 Fax: +49 (0) 2302 20 25 671

Skyjack AB Sweden
 Agnesbergsvägen 28
 424 38 Agnesberg
 Sweden
 Tel: +46 (0) 31 21 22 45
 Fax: +46 (0) 31 787 65 10

www.skyjack.com