

# Meet

## DINO 120T

### DINO® TRAILER MOUNTED MEWPs



#### Standard features in DINO 120T:

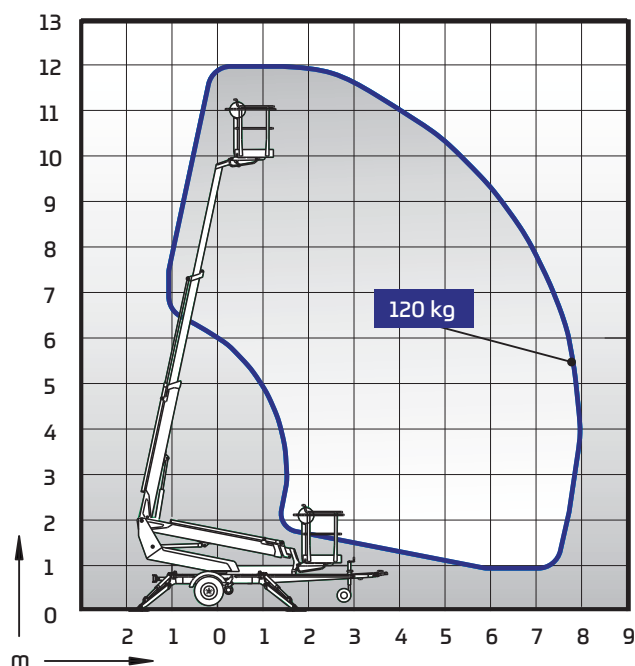
- Lightweight, robust, cost-effective
- Driving system; easy to move at work site
- Large outrigger pads 280 x 360 mm
- Continuous rotation of the boom; easy and functional
- Stable to tow, easy to transport
- Simple to use, clear and informative controls

#### Options available for DINO 120T:

- Petrol power pack
- Cable steering for driving
- Outrigger support indicator
- LED working lights
- Extra outrigger pads 500 x 500 x 35 mm + bracket
- Lockable tool / harness box
- Spare wheel

#### Technical data

	120T
Max. working height	12.00 m
Max. platform height	10.00 m
Max. outreach	7.90 m
Support width	3.15 / 3.55 m
Lifting capacity	120 kg
Basket size	0.75 x 0.80 m
Boom rotation	cont.
Boom control	2-speed
Transport length	5.52 m
Transport width	1.72 m
Transport height	1.96 m
Weight	1285 kg
Driving system	std
AC socket in the basket x 2	std
Electro motor	std
Petrol power pack	opt.
Gradeability	25 %



# DINOLIFT

UP TO THE JOB

DINOLIFT Oy | Raikkolantie 145 • FI-32210 LOIMAA, FINLAND

Tel: +358 (0)20 1772 400 • E-mail: info@dinolift.com

Read more: [www.dinolift.com](http://www.dinolift.com)

Technical specifications are subject to change without prior notice.

©Dinolift Oy | 23.5.2017